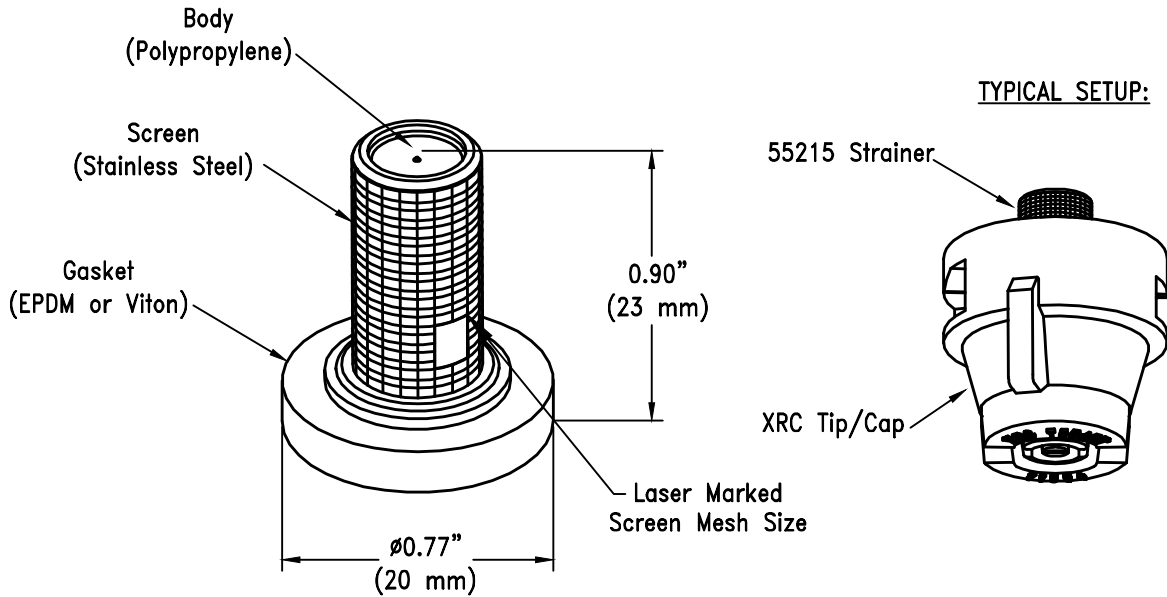


TeeJet® 55215 RETAINED TIP STRAINER



STRAINER NO.	SCREEN SIZE	BODY	COLOR	GASKET MATERIAL
55215-50-EPR	50 Mesh	Polypropylene	Gentian Blue	EPDM
55215-50-VI	50 Mesh	Polypropylene	Gentian Blue	Viton
55215-100-EPR	100 Mesh	Polypropylene	Traffic Green	EPDM
55215-100-VI	100 Mesh	Polypropylene	Traffic Green	Viton

FEATURES:

- Strainer and Gasket combined into a single unit for easy installation and handling.
- Self-Retained design keeps strainer attached to tip and cap when removed from the nozzle body.
- Color coded body allows for quick identification of screen mesh size.
- Gasket available in EPDM or Viton®
- Designed for use with AIC and XRC tips/caps. Can also be used with most TeeJet tips utilizing quick TeeJet Caps.

Viton® is a trademark of Dupoint Performance Elastomers

Description:

No. 55215-__-__
Retained Tip Strainer



Spraying Systems Co.®

Spray Nozzles and Accessories
P.O. Box 7900 - Wheaton, Il. 60187-7901

Rev. No. 1

Data Sheet No.

55215

Ref.

Sheet Of