

CENTERLINE[®] 220

COMPACT GPS GUIDANCE SYSTEM

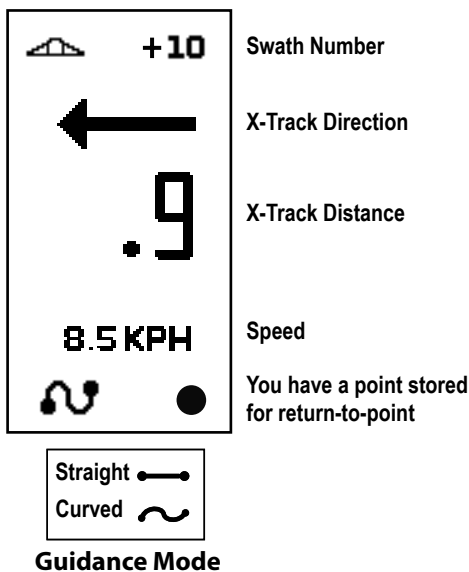


The compact CenterLine 220 is designed to let you profit from GPS lightbar guidance with any field operation. Inside the compact guidance system is a high-quality EGNOS GPS receiver and the guidance capabilities that make TeeJet Technologies leaders in lightbar guidance.

CenterLine 220 Features and Benefits

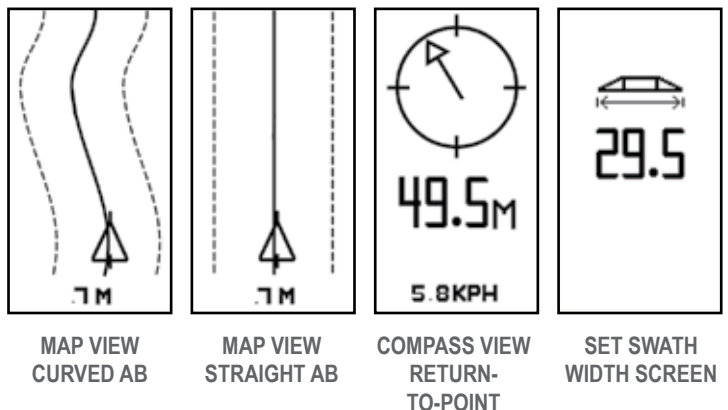
- Versatile GPS guidance in a compact, portable package
- LED Lightbar guidance plus a graphical display for complete guidance information
- High-quality, 5 Hz internal GPS engine with external antenna
- Simple setup gets you up and running in no time
- Straight-line and curved AB guidance modes
- Integrated look-ahead functionality anticipates vehicle's future position
- Return-to-point feature
- Durable, backlit keypad is easy to see in low-light conditions
- Provides RADAR-like speed signal output for use with other control systems that require a ground speed signal

Working Screen Layout



NEW – Auto Steering compatible when using FieldPilot 220 hardware

Screen Views



CENTERLINE® 220 GPS GUIDANCE SYSTEM

HOW TO ORDER

Part Number	Description
90-02552	CenterLine 220 Kit, Autonomous Metric Version
90-02402	CenterLine 220 Kit, EGNOS Version

ACCESSORIES

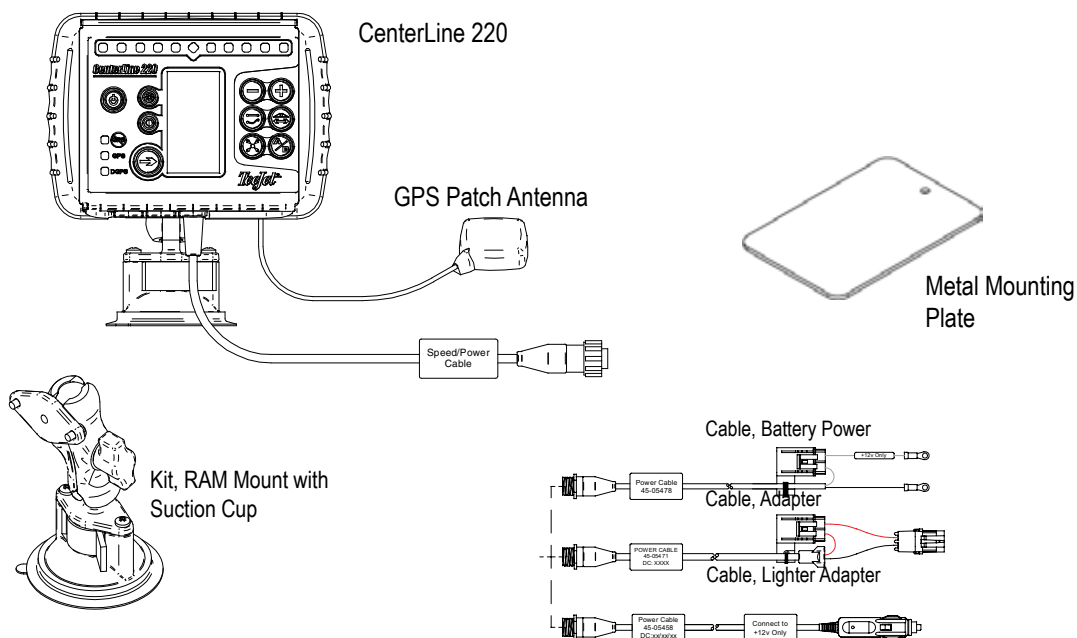
Part Number	Description
78-50155	Patch Antenna
90-02349	RAM Mount Kit for CenterLine 220
45-20042	Adapter Cable for TeeJet controls
45-05508	Speed Adapter Cable, Raven Controls
45-05478	Direct Battery Cable
198-669	Speed Adapter Cable, DIN/ISO 7 Poles
198-670	Speed Adapter Cable, LH-500, LH-6000, LH-85
198-675	Speed Adapter Cable, LH-5000



CenterLine 220 Kit Includes:

- CenterLine 220 Console
- Patch Antenna
- Cigarette Lighter Power Adapter
- RAM Mount Kit with Hardware
- User guide

WIRING DIAGRAM



TeeJet Technologies
 Mølhavevej 2
 DK 9440 Aabybro
 Denmark
 Tel: +45 96 96 25 00 • Fax: +45 96 96 25 01
www.teejet.com