

UPPER CLAMP ACCEPTS  
HEX HEAD BOLT FOR  
EASY MOUNTING  
(NOT AVAILABLE ON  
1-INCH VERSION)

MOLDED NYLON  
(BLACK) UPPER CLAMP  
FITS 1/2", 3/4" OR 1"  
PIPE OR 20mm TUBING

BUNA-N O-RING

MOLDED NYLON  
(BLACK) MAIN BODY  
WITH LOWER CLAMP

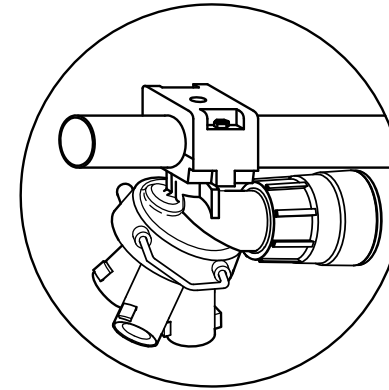
QUICK TEEJET®  
3-OUTLET BODY  
MOLDED ACETAL  
(BLACK)

SELF-TAPPING  
STAINLESS STEEL  
SCREW

56720-1/8-F & B56720-1/8-F  
DIAPHRAGM TYPE AIR CHEMSAVER®  
SHUT-OFF VALVE WITH  
POLYURETHANE DIAPHRAGM  
(NPT AND BSPT CONNECTIONS)

4 13/16"  
(122 mm)

TO INSTALL NOZZLE  
DRILL 3/8" (9.5 mm) DIA. HOLE  
IN PIPE, DEBURR, THEN  
INSERT SPLIT-EYELET INLET  
AND CLAMP ASSEMBLY IN PLACE



TYPICAL  
APPLICATION

**OTHER FEATURES:**

- QUICK HAND INDEXING WITH CHOICE OF THREE DIFFERENT SPRAY TIPS FOR
- EASIER CHANGING OF SPRAY PATTERNS OR APPLICATION RATES.
- DRIP-FREE POSITIVE SHUT-OFF.
- SHUT-OFF POSITION PROVIDED BETWEEN ANY TWO SPRAYING POSITIONS.
- FAST AND EASY WAY TO MOUNT SPRAY NOZZLES TO A BOOM.
- MADE OF CORROSION RESISTANT MATERIALS.
- MINIMUM 55 PSI (3.75 Bar) OPENING AIR PRESSURE.
- MAXIMUM 115 PSI (8 Bar) LIQUID PRESSURE.
- 0.015 CF/CYCLE (.007L/CYCLE) AIR CONSUMPTION PER 56720 VALVE.
- THE 56720 AIR CHEMSAVER® IS DESIGNED AS A PNEUMATIC SHUT-OFF VALVE FOR USE ON QUICK TEEJET® NOZZLE ASSEMBLIES. AIR PRESSURE IS USED TO OPEN THE VALVE AND A SPRING IS USED TO CLOSE THE VALVE.
- SEE DS56720 FOR FURTHER DETAILS.

**HOW TO ORDER**

FOR DIAPHRAGM QUICK TEEJET® BODY ASSEMBLY (DOES NOT INCLUDE CAP, GASKET, TIP OR STRAINER).

**EXAMPLE:** B24216A-1/2-AC, QUICK TEEJET® NOZZLE BODY WITH AIR CHEMSAVER®, BSPT THREADS.

UPPER CLAMP MOUNTING DETAIL		
BODY SIZE	BOLT DIAMETER	HEX SIZE (FLATS)
1/2, 3/4	1/4"	7/16"
1/2M, 20mm	M8	13mm

PIPE SIZE	"A" (APPROX)	"B" (APPROX)
1/2", 3/4" 20mm	1 11/16" (43 mm)	4 3/16" (106 mm)
1"	2 9/16" (65 mm)	4 11/32" (110 mm)

U.S. PATENT No. 4527745, D280125, OTHER U.S. AND FOREIGN PATENTS GRANTED OF PENDING.

**DESCRIPTION:**

QUICK TEEJET® TRIPLE  
OUTLET NOZZLE BODY  
No. 24216A- AC  
DIAPHRAGM TYPE AIR CHEMSAVER®  
SHUT-OFF VALVE



**Spraying Systems Co.®**  
Spray Nozzles and Accessories  
P.O. Box 7900 - Wheaton, IL 60189-7900

Rev. No.

Ref.

Data Sheet No.  
**DS24216A-AC**  
SHEET OF